



## FOGLIA FG350

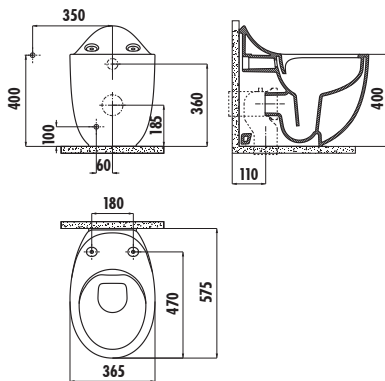
### Back to Wall Single Pan

FG350	Foglia Back to Wall Single Pan
KC2703.01.0000E	Foglia Duroplast Soft Closing White Seat&Cover
Qty of Pallet:	Pan 25
Weight:	Pan 29,64 kg · Seat&Cover 2,2 kg

This product is packaged with compatible seat&cover.

There is only hidden connection for the self cleaning pipe&internal mechanism. Not suitable for side connection.

### TECHNICAL DRAWING



### SPECIFICATIONS



Creavit keeps its rights of making any change to the products.



Quality Management Systems



Customer Satisfaction Certificate



Environmental Management System



Occupational Safety & Health Management System

LGA

Germany Accreditation Certificate

kiwa

Netherlands Accreditation Certificate

GOST - R

Russia Accreditation Certificate

UkrSEPRO

Ukraine Accreditation Certificate



Israel Accreditation Certificate



Nigeria Accreditation Certificate



European Accreditation Certificate



Turkish Accreditation Certificate