

LAUFEN INSTALLATION SYSTEM

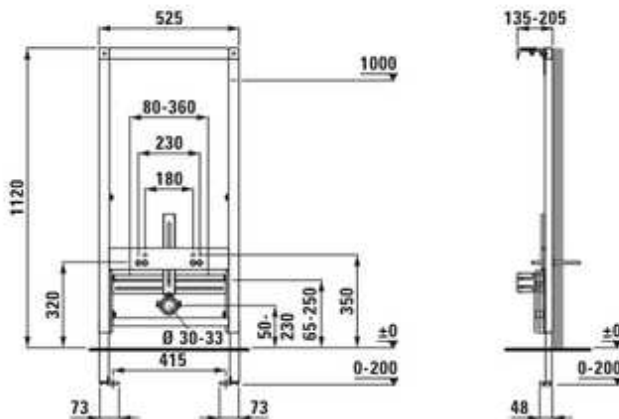
CB1 Concealed frame for wallhung bidet 89266.0



TECHNICAL DATA

| | | | |
|----------------------|---|----------------------|---|
| Order no. | 89266.0 | Mounting acc. incl. | Fastening set to floor and wall, fastening set for ceramic and protection tubes for M12 threaded rods. |
| matching for | All LAUFEN wallhung bidets | Mounting acc. excl. | Sound insulation set, order no. 89269.6 |
| Specifications | For mounting in front of a solid or drywall construction, self-supporting. | Accessories excl. | Support bar for handle and holding systems, order no. 89266.7, order no. 89266.8 |
| Other specifications | Galvanized leg supports, rotatable, height-adjustable 0-200 mm, Supporting frame made of steel profiles. Capable to resist 400 kg | Mounting information | Please note the necessary wall thickness of 80 mm in case of pre-wall installation. Height from finished floor to top of bidet pre-set to 400 mm, adjustable between 390-450 mm. System installation is also possible between modular walls (plasterboard). |
| Water connection | R 1/2", brass The axial distance is adjustable between 80-360 mm, the height adjustable between 65-250 mm. | Colours | Surface powder coated blue |
| Installation depth | 135-205 mm | | |
| Weight | 13,0 kg | | |

TECHNICAL DRAWINGS / S 1 : 20



LAUFEN

Z 100512