

FRAME 25 MIRROR CABINET

Mirror cabinet with LED light

40840.1 / 40840.2

40841.1 / 40841.2

40842.1 / 40842.2

40845.1 / 40845.2

40846.1 / 40846.2

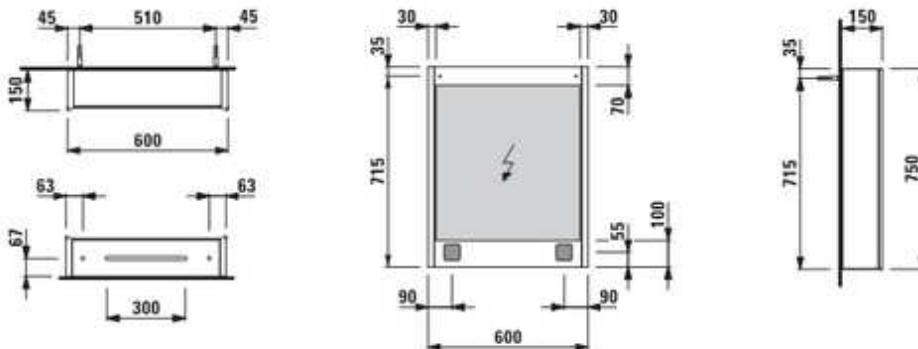
40847.1 / 40847.2



TECHNICAL DATA

Order no.	40840.1 / door hinge left, with sensor switch, 2 sockets (EU)	Dimensions (WxHxD)	600 x 750 x 150 mm
	40841.1 / door hinge left, hardwired for room switch, 2 sockets (CH)	Specification	Body – inner part anodized aluminum (sidewall top, bottom), back wall grey melamine coated MDF
	40842.1 / door hinge left, hardwired for room switch		Door – Glass 3+3 mm
	40845.1 / door hinge left, bottom ambient light, with sensor switch, 2 sockets (EU)		1 door with inside and outside mirrors, including handle (optional usable)
	40846.1 / door hinge left, hardwired for room switch, bottom ambient light with sensor switch, 2 sockets (CH)		With vertical LED light
	40847.1 / door hinge left, hardwired for room switch, bottom ambient light with sensor switch, without sockets		2x 14W/m, 4000 Kelvin (daylight), IP44, 230V
	40840.2 / door hinge right, with sensor switch, 2 sockets (EU)	Weight	17.0 kg
	40841.2 / door hinge right, hardwired for room switch, 2 sockets (CH)	Accessories excl.	Accessories set consisting of 1 organizer, cosmetic mirror and magnetic bar self adhesive, order no. 49060.0
	40842.2 / door hinge right, hardwired for room switch	Mounting acc. incl.	Installation set, order no. 49063.0
	40845.2 / door hinge right, bottom ambient light, with sensor switch, 2 sockets (EU)	Mounting acc. excl.	Installation frame set for mirror cabinet 600 mm, aluminum, dimensions 630 x 780 x 30 mm, order no. 40848.0 (only 40841.1, 40841.2, 40842.1, 40842.2 in connection with colour option 144)
	40846.2 / door hinge right, hardwired for room switch, bottom ambient light with sensor switch, 2 sockets (CH)	Mounting information	The fortification walls must meet the requirements of the furniture in terms of weight and the supplied fasteners. This can not be guaranteed, another method of attachment is chosen. 230V power supply required.
	40847.2 / door hinge right, hardwired for room switch, bottom ambient light with sensor switch, without sockets	Attention: Clearance for sensor switch min. 15 cm below mirror cabinet!	
Certified to	IP44	Colours side wall (cover)	144 – Mirror, 145 – Glass with white backing

TECHNICAL DRAWINGS / S 1 : 20



LAUFEN

2 205203